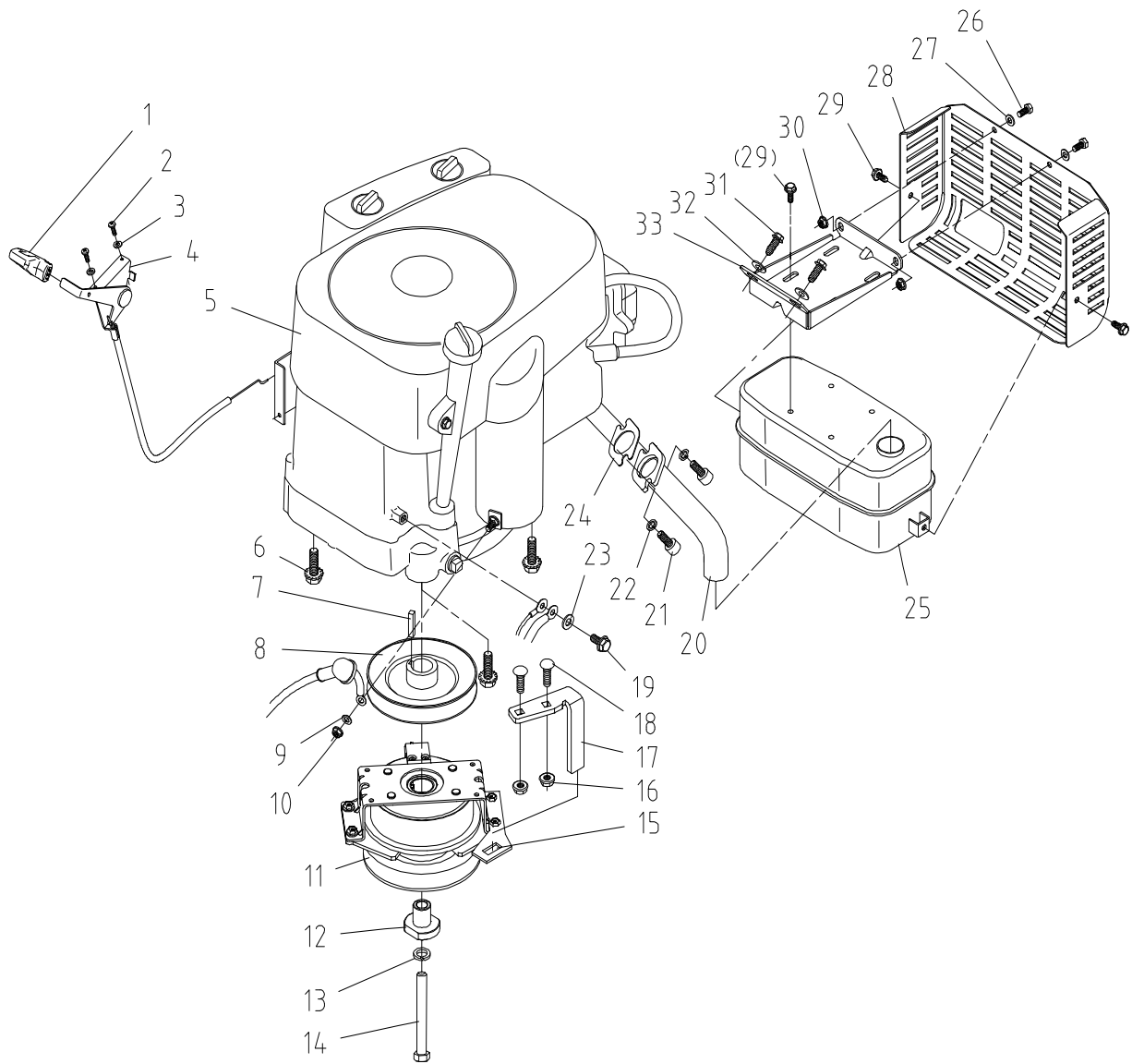


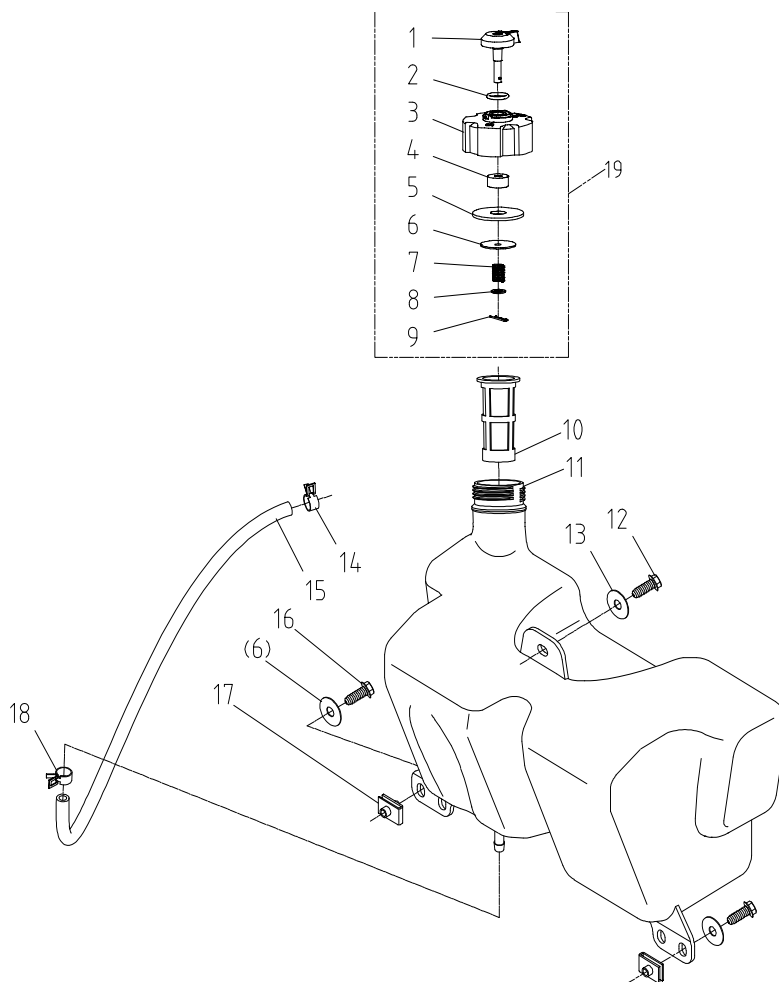
Pozice	Obj.číslo		Popis	Počet
1	20084835	193601160102	BELT COVER RIGHT TTM92,Black	1
2	20082801	20082801	Hexagon Head Tapping Screw6.3x11.5	6
3	20061336	GB/T6177.1	FLANGE LOCK NUT M6	2
4	20084618	193401130303	CUT TENTION SUPPORT WELDMENT	1
5	20084542	193401130310	ADJUSTING SCREW ROD	1
6	20082799	20082799	FLANGE BOLT5/16-18TX3/4	2
7	20070630	D24.0117.0010	BUCKLE NUT M6	4
8	20060893	GB/T947-1988	SCREW M6x16	4
9	20084598	193401130311	TRACTION SPRING	1
10	20061286	GB/T16674.1	Hexagon bolt M12x1.25x50	1
11	20061649	JB/T7940.1	OIL INJECTION NOZZLE	1
12	20084615	193401130306	CUT TENTION ARM WELDMENT	1

13	20061359	GB/T6183.2-2000	FLANGE LOCK NUT M12×1.25	2
14	20084617	193401130309	TENTION PULLEY CUSHION COVER	1
15	20085378	193401130106	Wheel Axle	2
16	20084596	193401130301	TENTION PULLEY WELDMENT TTM86,Plating white zinc passivation	1
17	20061610	GB/T276-1994	BEARING 6203-2RZ	1
18	20071268	D40.0106.0003	WHEEL	2
19	20061540	GB/T893.1-1986	CIRCLE 40	1
20	20061348	GB/T6183.1-2000	FLANGE LOCK NUT M8	2
21	20084833	193601130200	Deck WELDMENT	1
22	20084610	193401130312	RIGHT GUIDE Wheel CUSHION COVER	1
23	20061549	GB/T893.1-1986	SNAP RING 37	2
24	20061626	GB/T276-1994	BEARING 6301-2RS	2
25	20070536	D24.0104.1100	TENTION PULLEY	2
26	20084604	193401130302	TENTION PULLEY BOLT LONG TTM86,Blacken	1
27	20084306	193601130206	BELT	1
28	20070624	D24.0117.0006	WATER NOZZLE	2
29	20055756	GB/T3452.1-1992	O RING 11.2×2.65	2
30	20085899	20085899	Plastic expansion rivets	2
31	20083936	193401130105	RIGHT BLADE Axle	1
32	20061625	01.05.1420	Washer	4
33	20071285	D40.0106.0406	Bearing 6204-2RZ	2
34	20085352	193603130101	Hood, Bearing	2
35	20061662	01.06.0170	PULLEY	2
36	20055114	A38.0301.0002	Key C6x30	2
37	20061472	01.04.0241	Spring washer 8	2
38	20061274	GB/T16674.1	Hexagon bolt M8x20	2
39	20062310	17.01.A179120-02	BOLT	1
40	20083934	193401130104	LEFT BLADE Axle	1
41	20061298	GB/T16674.1	FLANGE BOLT M8×25	8
42	20061452	GB/T93	SPRING WASHER 12	1
43	20084831	193601160101	BELT COVER LEFT	1
44	20071282	D40.0106.0402	Pivot tube	2
45	20054352	D40.0106.0403	Cuttter house	2
46	20071283	D40.0106.0404	Spacer ring	2
47	20071286	D40.0106.0407	Washer 50x20.2x2	2
48	20054345	D24.0117.0002	Sleeve	2
49	20070818	193602130101	Left brade	1
50	20070623	D24.0117.0004	Saucer washer	2
51	20061497	GB/T97.1-1985	WASHER 10	2
52	20061267	ANSI B 18.2.1	Bolt 3/8-24unf	1
53	20061651	GB/T1099-1979	HALFMOON KEY 4×16	2
54	20070819	193602130104	RIGHT BLADE	1
55	20061266	ANSI B 18.2.1	LH Bolt 3/8-24-1.25"-1.25-LH	1

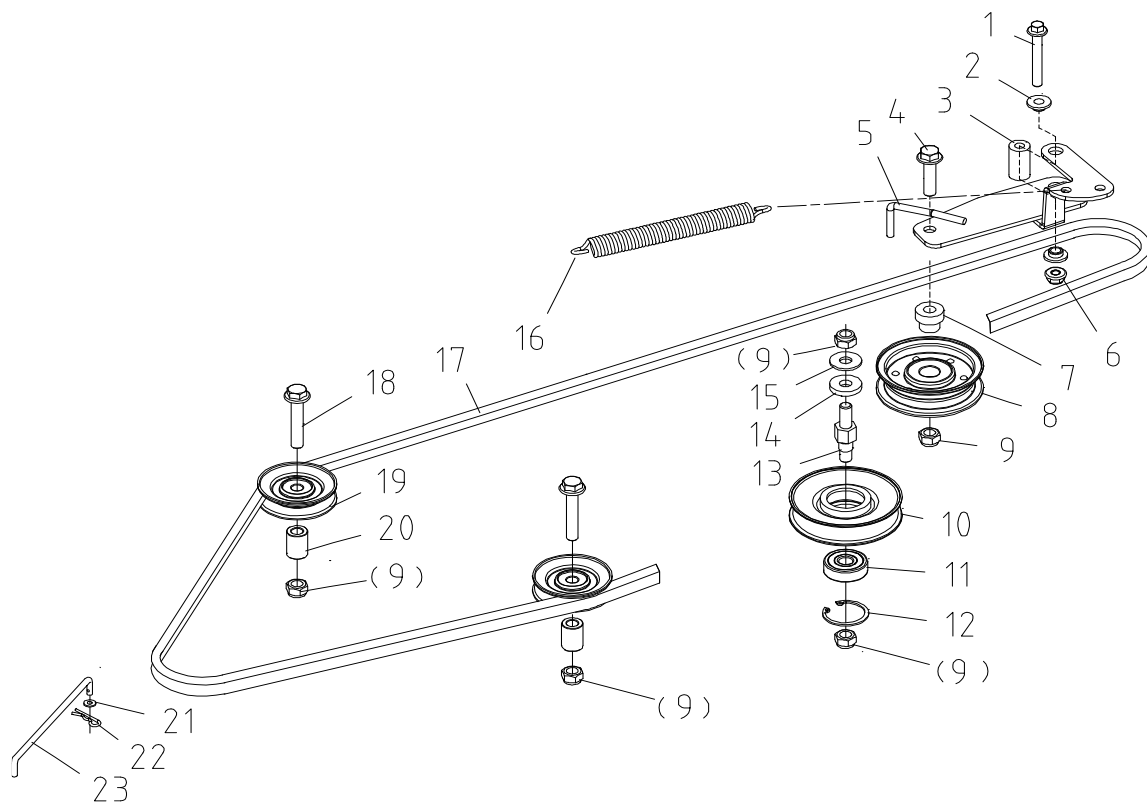


Pozice	Obj.číslo		Popis	Počet
1	20084362	193401150124	CHOKE KNOB	1
2	20051803	GB/T818-2000	SCREW M4×16	2
3	20061531	GB/T97.1-1985	WASHER 4	2
4	20071241	D40.0104.1001	THROTTLE CABLE	1
5	20071183	LC1P92F-1	ENGINE	1
6	20061285	ANSI B18.6.4	TAPPING SCREW 3/8"-16-1 1/4"	4
7	20070519	D24.0104.0011	FLAT KEY 6.35×30	1
8	20071187	D40.0103.0604	Engine pulley weldment	1
9	20061482	GB/T97.1-1985	WASHER 6	1
10	20061385	GB/T6183.1-2000	FLANGE LOCK NUT M6	1
11	20085206	193401010201	Electric clutch	1
12	20085758	193401010105	Clutch Step Bushing	1
13	20061455	ASME B18.21.1	Spring washer 7/16"	1
14	20062410	ANSI B 18.2.1	BOLT, 7/16"-20- 3",UNF	1
15	20085121	193401010106	Clutch clamp plate	1
16	20061348	GB/T6183.1-2000	FLANGE LOCK NUT M8	2
17	20085757	193401010108	Clutch baffle Weldment (small bin)	1
18	20061299	GB/T12-1988	BOLT M8×20	2

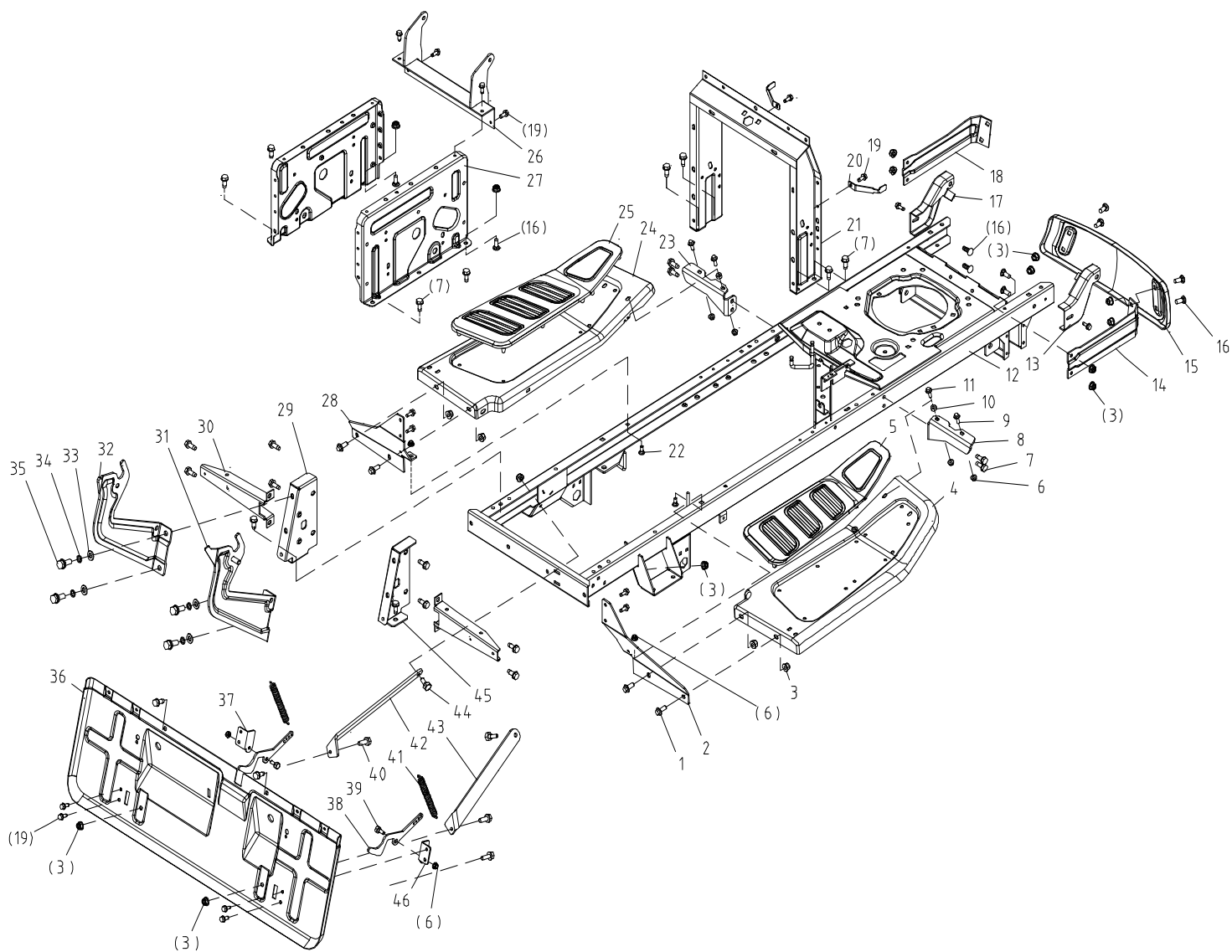
19	20061300	GB/T5783	FLANGE BOLT M8×16	1
20	20074428	D39.0103.0101	EXHAUST PIPE	1
21	20060850	ANSI B18.3	SCREW 5/16"-18 -3/4"	2
22	20061453	ASME B18.21.1	Spring washer 5/16"	2
23	20061431	GB/T97.1-1985	WASHER 8	1
24	20070868	D39.0103.0001	GASKET	1
25	20071214	D40.0103.1700	MUFFLE	1
26	20061184	GB/T5783-2000	BOLT M6×16	2
27	20061539	GB/T96-1985	BIG WASHER 6	2
28	20071219	194307010101	FRONT SHIELD	1
29	20082800	20082800	Tapping screwM6*16	6
30	20061406	GB/T6177.1-2000	Hexagon flange nut M6	2
31	20082799	20082799	FLANGE BOLT 5/16-18TX3/4	2
32	20061541	GB/T96-1985	BIG WASHER 8	2
33	20084296	193401010104	BRACKET	1



Pozice	Obj.číslo		Popis	Počet
1	20059754	E58.0151.0101	FUEL TANK CAP LEVER	1
2	20071493	E58.0151.0102	O RING	1
3	20059760	E58.0151.0103	FUEL TANK CAP	1
4	20059763	E58.0151.0104	FUEL TANK CAP FILTER	1
5	20071494	E58.0151.0105	FUEL TANK CAP SEAL	1
6	20071676	21025-A142-0000	GASKET 6×25×1.5	1
7	20059764	E58.0151.0107	FUEL TANK CAP SPRING	1
8	20061445	GB/T97.1-1985	WASHER 5	1
9	20059765	E58.0151.0108	SPLIT PIN	1
10	20059766	E58.0151.0200	FILTER CAP	1
11	20071228	D40.0104.0014	FUEL TANK	1
12	20082800	20082800	Tapping screw M6*1	1
13	20071676	21025-A142-0000	GASKET 6×25×1.5	3
14	20062744	D40.0103.0009	CLIP φ10	1
15	20070865	D39.0102.0002	FUEL HOSE	1
16	20085866	GB/T5783-2000	BOLT M6×20	2
17	20070630	D24.0117.0010	BUCKLE NUT M6	2
18	20071161	D40.0103.0010	CLIP φ10	1
19	20071747		FUEL TANK CAP ASY	



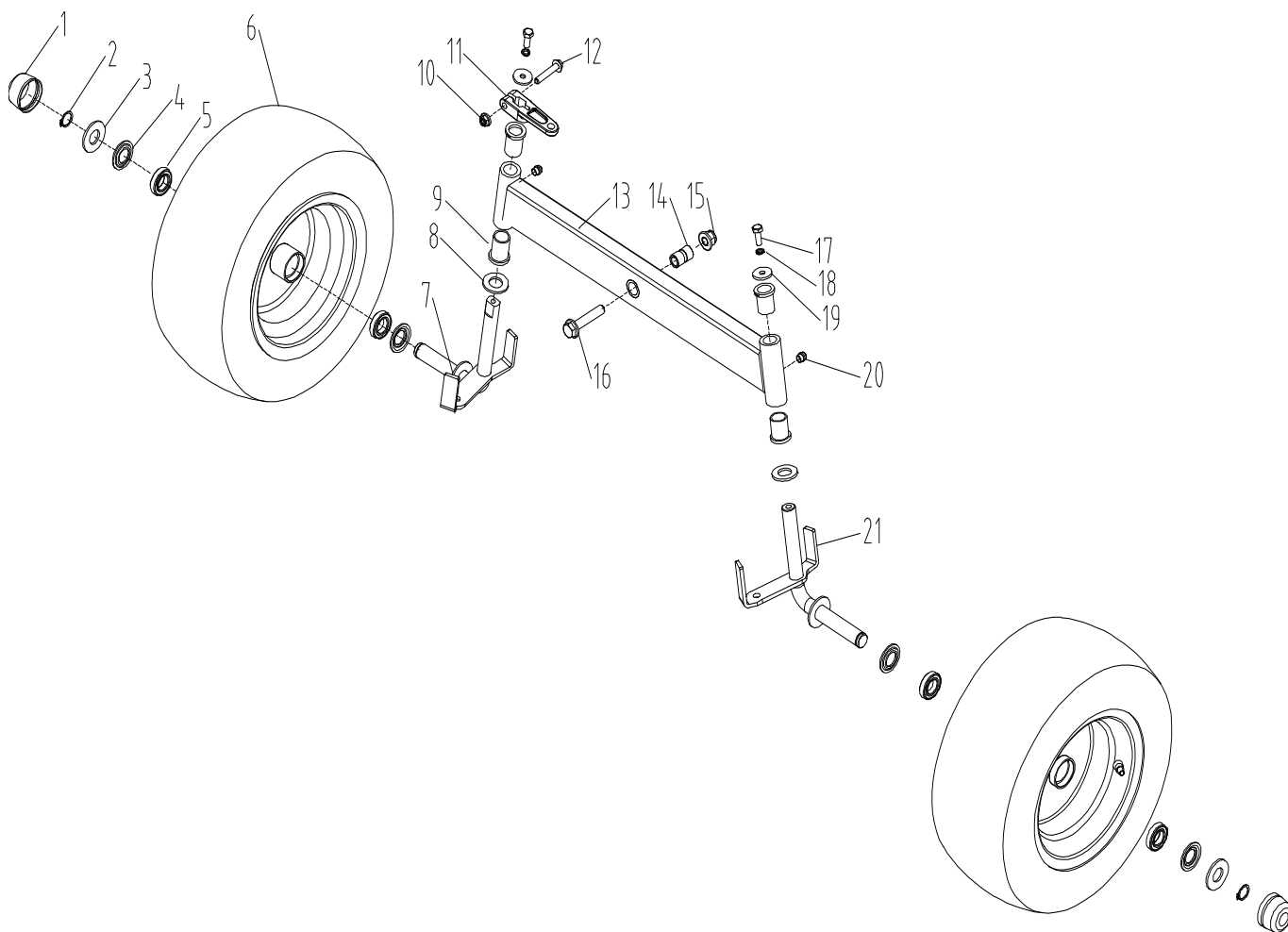
Pozice	Obj.číslo		Popis	Počet
1	20061275	GB/T16674.2	FLANGE BOLT M8×60	1
2	20070780	D24.0213.0003	Bushing	2
3	20084436	193401020109	SPACER $\varnothing 8 \times \varnothing 18 \times 33$	1
4	20062521	GB/T16674.2	FLANGE BOLT M10×1.25×40	1
5	20084440	193401020200	DRIVING TENTION ARM WELDMENT	1
6	20061336	GB/T6177.1-2000	FLANGE NUT M8	1
7	20071180	D40.0103.0501	TENTION PULLEY BUSHING	1
8	20071213	D40.0103.1600	TENTION PULLEY	1
9	20061403	GB/T889.2-2000	LOCK NUT M10×1.25	5
10	20070536	D24.0104.1100	TENTION PULLEY	1
11	20061626	GB/T276-1994	BEARING 6301-2RS	1
12	20061549	GB/T893.1-1986	SNAP RING 37	1
13	20084441	193401020107	Bolt	1
14	20062499	17.01.W102705	WASHER $\varnothing 27 \times \varnothing 10.5 \times 5$	1
15	20061542	GB/T96-1985	BIG WASHER 10	1
16	20070875	D39.0104.0004	SPRING	1
17	20084444	193401020111	V belt LG4-1050 (HA2645)	1
18	20062515	GB/T16674.2	FLANGE BOLT M10×1.25×50	2
19	20071208	D40.0103.1200	DRIVING GUIDE PULLEY	2
20	20084442	193401020110	GUIDE PULLEY CUSHION SLEEVE	2
21	20084445	193406020104	Oil drain push rod	1
22	20061445	GB/T97.1-1985	WASHER 5	1
23	20070582	D24.0113.0006	Cotter pin	1



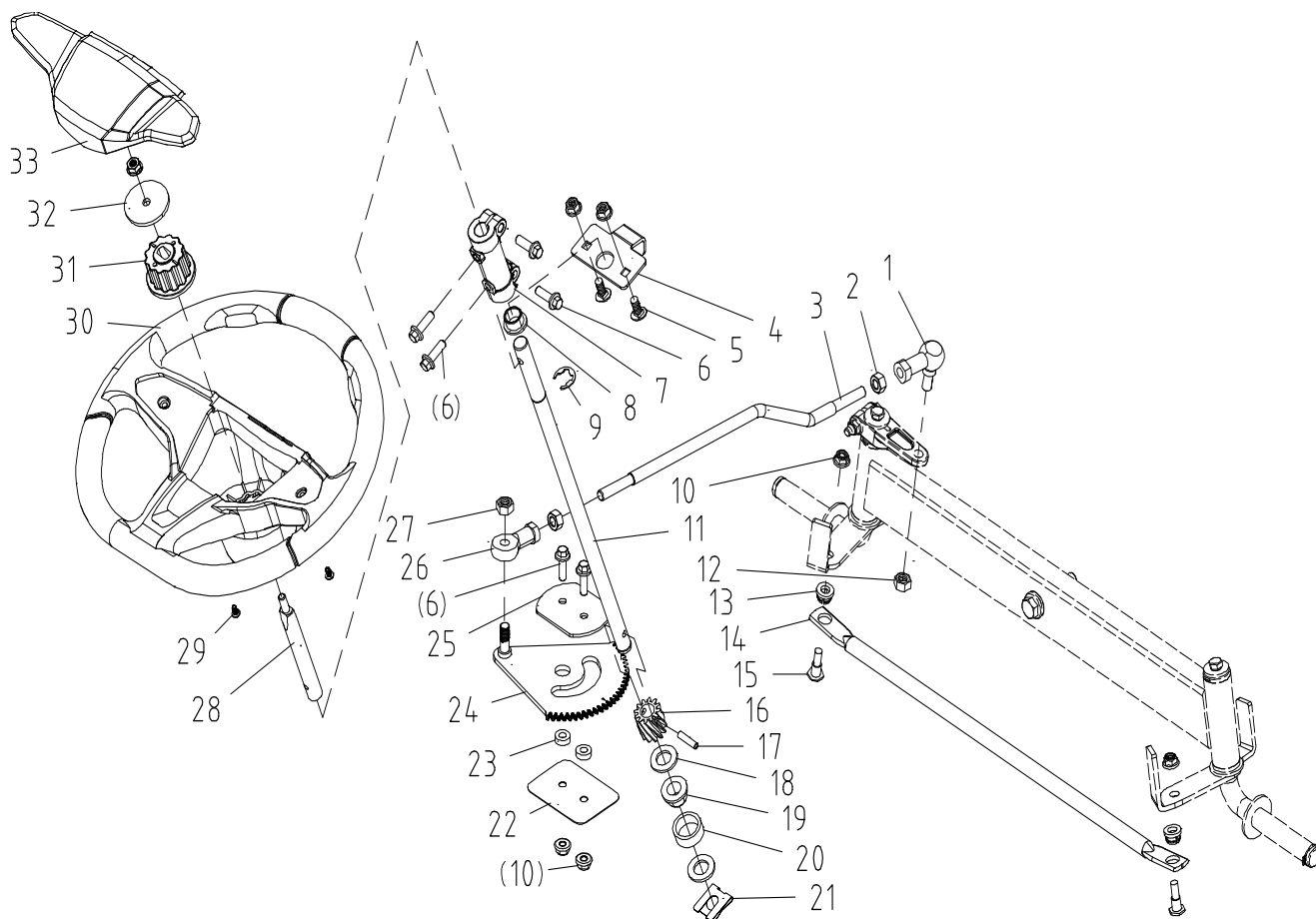
Pozice	Obj.číslo		Popis	Počet
1	20061274	GB/T16674.1	FLANGE BOLT M8×20	4
2	20084428	193401040604	RIGHT PEDAL HANGER	1
3	20061348	GB/T6183.1-2000	FLANGE LOCK NUT M8	16
4	20084430	193401040602	RIGHT PEDAL	1
5	20084393	193401150116	RIGHT FOOT PAD	1
6	20061385	GB/T6183.1-2000	Hexagon flange lock nut M6	8
7	20082799	20082799	FLANGE BOLT 5/16-18TX3/4	26
8	20084427	193401040606	PEDAL FRONT SUPPORT RIGHT	1
9	20061201	GB/T5789-1986	FLANGE BOLT M6×16	2
10	20070916	D39.0106.0008	BUSHING	2
11	20061196	GB/T16674.1	FLANGE BOLT M6×25	2
12	20084782	193401040200	Chasis	1
13	20084375	193401041402	ENGINE COVER BRACKET RIGHT	1
14	20084410	193401040302	RIGHT BAMPER ROD	1
15	20085086	193401040304	BAMPER	1
16	20061299	GB/T12-1988	BOLT M8×20	10
17	20084403	193401041401	ENGINE COVER BRACKET LEFT	1
18	20084378	193401040301	LEFT BAMPER ROD	1
19	20082800	20082800	Tapping screw M6*1	14

20	20084384	193401041403	STEERING	2
21	20084401	193401040400	STEERING BRACKET	1
22	20061289	GB/T12-1988	Bolt M6X16	2
23	20084422	193401040605	PEDAL FRONT SUPPORT LEFT	1
24	20084429	193401040601	LEFT PEDAL	1
25	20084388	193401150115	LEFT FOOT PAD	1
26	20084417	193401040500	SEAT FRONT BEAM WELDMENT	1
27	20084399	193401041301	SIDE PLATE	2
28	20084414	193401040603	LEFT PEDAL HANGER	1
29	20084396	193401041615	TRAPEZOIDAL CONNECTING PLATE PLATE WELDMENT LEFT	1
30	20084385	193401041603	TAILGATE BRACKET	2
31	20084420	193401041608	SWINGING FRAME RIGHT WELDMENT	1
32	20084419	193401041605	SWINGING FRAME LEFT WELDMENT	1
33	20061513	GB/T97.1	WASHER 10	4
34	20061471	GB/T93	SPRING WASHER 10	4
35	20061316	GB/T5783	HEXAGON BOLT M10×1.25×30,GB/T5786	4
36	20084387	193401041612	Rear damper	1
37	20084390	193401041613	HOOK BASE LEFT	1
38	20085354	193401041618	Hook	2
39	20070649	D24.0118.0009	Pin screw	2
40	20061298	GB/T16674.1	FLANGE BOLT M8×25	2
41	20070645	D24.0118.0007	Spring	2
42	20084418	193401041610	BACK JACKSTAY LEFT	1
43	20084412	193401041611	BACK JACKSTAY RIGHT	1
44	20084421	193401041617	Step bolt M8×20	2
45	20084392	193401041616	TRAPEZOIDAL CONNECTING PLATE PLATE WELDMENT RIGHT	1
46	20084381	193401041614	HOOK BASE RIGHT	1



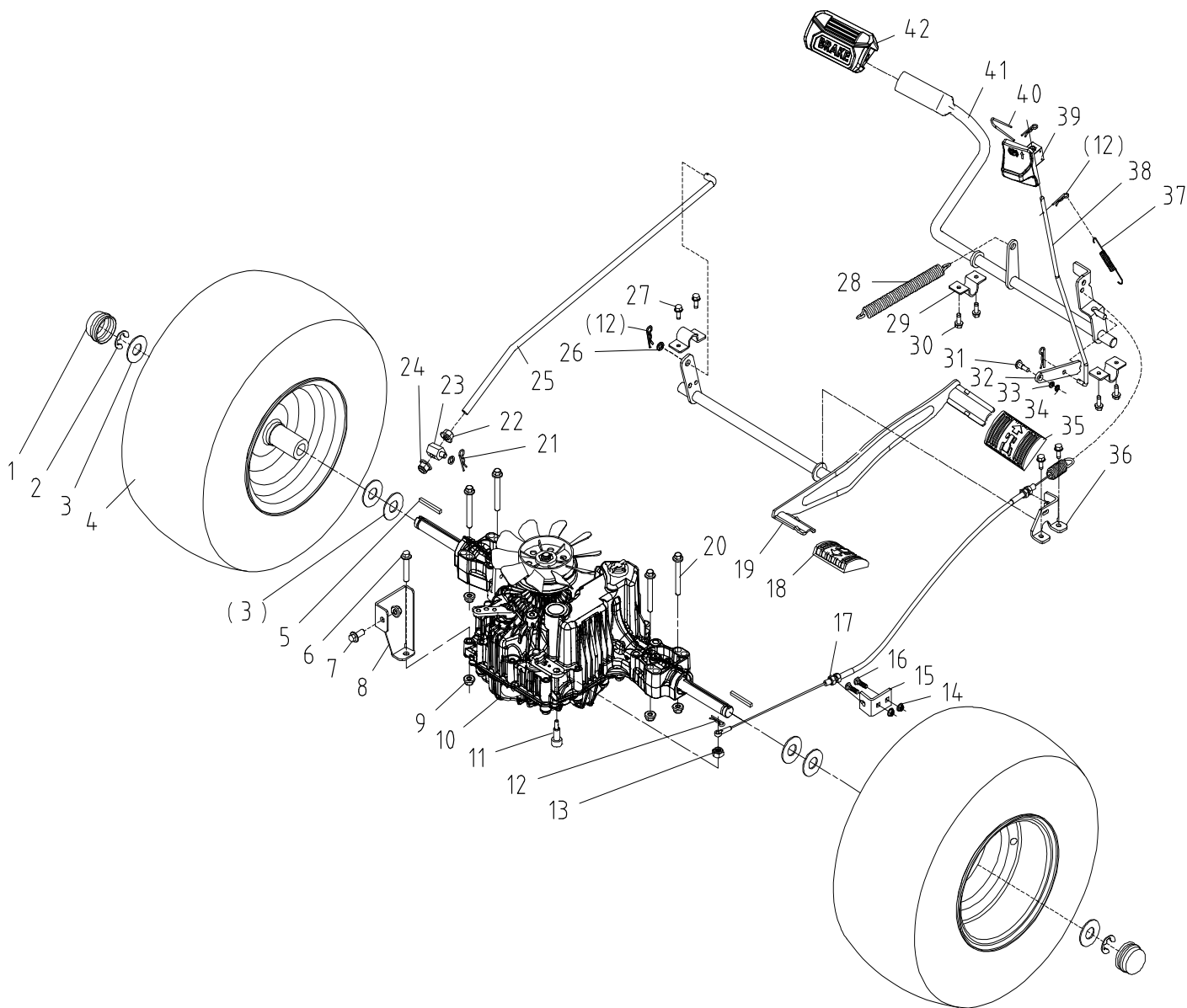


Pozice	Obj.číslo		Popis	Počet
1	20068187	D24.0109.0001	HUB COVER	2
2	20061488	GB/T894.1-1986	SNAP RING 19	2
3	20071143	D40.0102.0015	WASHER $\phi 20 \times \phi 43 \times 3$	2
4	20071144	D40.0102.0016	WASHER	4
5	20061595	GB/T276-1994	BEARING 61904-2RZ	4
6	20083980	D40.0102.0100	FRONT WHEEL ASSEMBLY	2
	20071149		FRONT WHEEL ASSEMBLY	2
7	20084372	193401050200	Front Axle RH	1
8	20061444	GB/T97.1-1985	WASHER 20	2
9	20070566	D24.0112.0003	BUSHING	4
10	20061348	GB/T6183.1-2000	FLANGE LOCK NUT M8	1
11	20070941	D39.0112.0011	TURNNG ARM	1
12	20061256	GB/T5789-1986	FLANGE BOLT M8×45	1
13	20084364	193401050100	FRONT AXLE WELDMENT	1
14	20084370	193401050103	LINER TUBE	1
15	20061359	GB/T6183.2-2000	FLANGE LOCK NUT M12×1.25	1
16	20085752	GB/T5789-2000	FLANGE BOLT M12×1.25×55	1
17	20061291	GB/T5783-2000	BOLT M8×20	2
18	20061533	GB/T93-1987	SPRING WASHER 8	2
19	20055114	A38.0301.0002	WASHER	2
20	20061649	JB/T7940.1	OIL INJECTION NOZZLE	2
21	20084367	193401050300	Front Axle LH	1



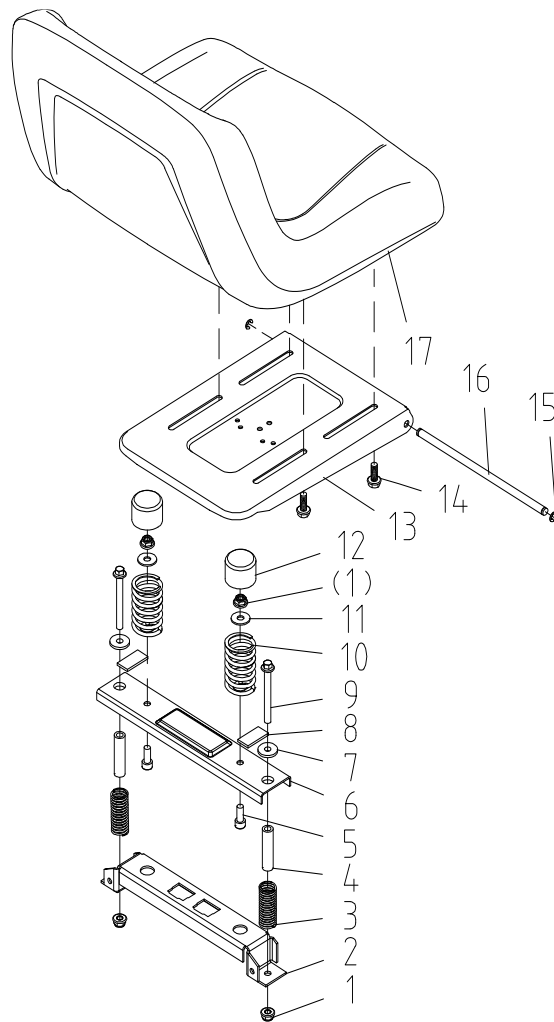
Pozice	Obj.číslo		Popis	Počet
1	20085366	193401070007	JOINT BEARING M10	1
2	20061399	GB/T6170-2000	NUT M10	2
3	20084461	193401070003	STEERING DRAG ROD	1
4	20084463	193401070006	SQUARE HOLE CARD BOARD	1
5	20061299	GB/T12-1988	SCREW M8×20	2
6	20061298	GB/T5789-1986	FLANGE BOLT M8×25	6
7	20083389	493405070106	Couplings	1
8	20082643	494305080108	HATCH BUSHING	1
9	20061548	GB/T894.1-1986	SNAP RING 15	1
10	20061348	GB/T6183.1-2000	FLANGE LOCK NUT M8	7
11	20084458	193401070002	Steering column	1
12	20061419	GB/T889.1-2000	LOCK NUT M10	1
13	20084462	193401070102	ELASTIC RUBBER BUSH	2
14	20084456	193401070103	STEERING TIE ROD	1
15	20084459	193401070101	PIN SCREW M8×28	2
16	20084457	193401070001	STEERING GEAR LEFT	1
17	20061569	GB/T879.1-2000	PIN 6×26	1
18	20061437	GB/T97.1-1985	WASHER 16	2
19	20070612	D24.0116.0012	HEXAGON BUSHING	1
20	20071127	D40.0102.0002	BUSHING	1
21	20085898	20085898	SNAP RING 16	1
22	20070939	D39.0112.0010	TIE PLATE	1
23	20070932	D39.0112.0003	BUSHING	2
24	20084464	193401070300	STEERING GEAR PLATE WELDMENT	1

25	20070942	D39.0112.0012	DOUBLE HOLE BOARD	1
26	20061641	GB/T304.2-1988	JOINT BEARING SIJK10C	1
27	20061403	GB/T889.2-2000	LOCK NUT M10×1.25	1
28	20084465	193401070004	STEERING WHEEL ROD A	1
29	20051824	GB/T845	Tapping screw ST5.5x16	2
30	20082707	494305070101	STEERING WHEEL	1
31	20079969	494305070104	Splined Hub	1
32	20082683	494305070103	WASHER	1
33	20085173	494305070102	STEERING WHEEL CAP	1

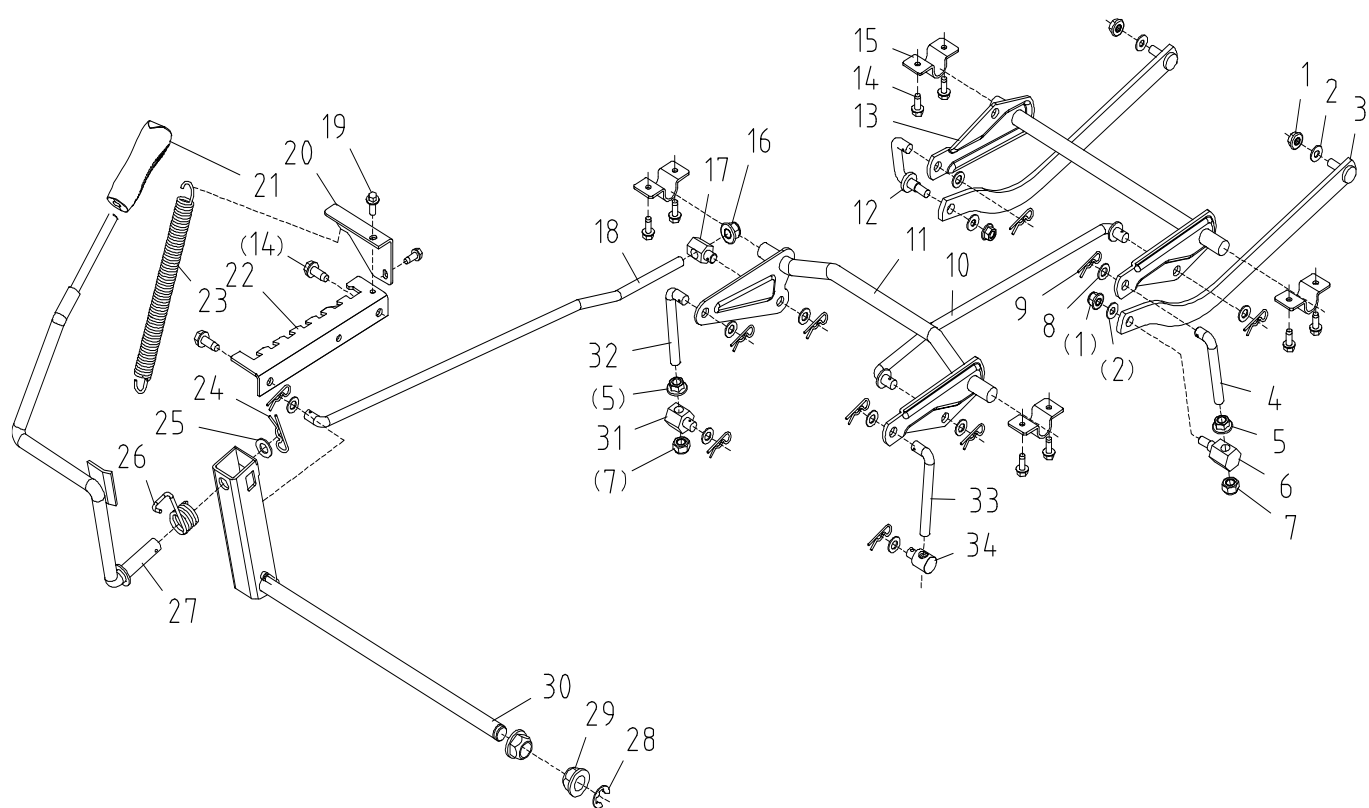


Pozice	Obj.číslo		Popis	Počet
1	20068187	D24.0109.0001	HUB COVER	2
2	20061430	GB/T896-1986	RETAINER RING 15	2
3	20071143	D40.0102.0015	WASHER $\phi 20 \times \phi 43 \times 3$	6
4	20060810	D40.0103.0200	REAR WHEEL ASSEMBLY	2
4	20083979		Rear vacuum tire 18x8.5-8, Environment Protection	2
4	20061665		Value Tubeless	2
5	20071174	D40.0103.0101	FLAT KEY 4.85x60	2
6	20061254	D40.0103.0103	FLANGE BOLT M8x40	1
7	20061274	GB/T6183.1-2000	FLANGE BOLT M8x20	1
8	20085196	T2ACBF-3X3B-1PX1	Rear fixed plate of hydraulic axle (T2 Side)	1
9	20061348	GB/T6177.1-2000	FLANGE LOCK NUT M8	6
10	20062247	GB/T16674.1	TRANSAXLE, HYDRO, TTC, K46DR	1
11	20086191	193406060101	Bow-tie Cotter pin 2(K46)	1
12	20070582	GB/T16674.1	Cotter pin	4
13	20061419	193406090104	LOCK NUT M10	1
14	20061385	GB/T96-1985	FLANGE LOCK NUT M6	2
15	20085192	193406090102		1

16	20061289	GB/T889.1-2000	Bolt M6X16	2
17	20085191	D39.0213.0001	Brake Cable (K46)	1
18	20068229	193406080200	REVERSE PEDAL	1
19	20084591	GB/T16674.1	Foot lever weldment	1
20	20061310	D24.0113.0006	FLANGE BOLT 8×65	4
21	20070576	D24.0113.0001	SPRING PIN	1
22	20061369	GB/T6177.2-2000	Hexagon nut 10X1.25	4
23	20085748	193406080104	Pull rod pin	1
24	20061403	GB/T889.2-2000	LOCK NUT M10×1.25	1
25	20085194	193406080101	Traveling pull rod(K46)	1
26	20061497	GB/T97.1-1985	Washer 10	1
27	20082800	20082800	Tapping screwM6*1	4
28	20084574	193406090101	Brake reset tension spring	1
29	20084532	193401090101	U-SHAPED CLAMP	3
30	20082799	20082799	FLANGE BOLT 5/16-18TX3/4	4
31	20084575	193401090203	Brake axle pin	1
32	20084590	193401090202	BRAKE PLATE	1
33	20061431	GB/T97.1-1985	Washer Φ8	1
34	20061533	GB/T93-1987	Spring washer 8	1
35	20068230	D39.0213.0004	FORWARD PEDAL	1
36	20084585	193406080102	Cable fixing plate	1
37	20086465	193401090206	Parking reset tension spring, TTM86	1
38	20084595	193401090205	Drag Link,Brake Parking	1
39	20085155	193401090201	BRAKE HANDLE RAL3002	1
40	20084581	193401090204	U BOLT	1
41	20084572	193406090400	BRAKE FOOT BAR WELDMENT(Hydraulic Pressure)	1
42	20082728	494305140101	BRAKE PEDAL	1



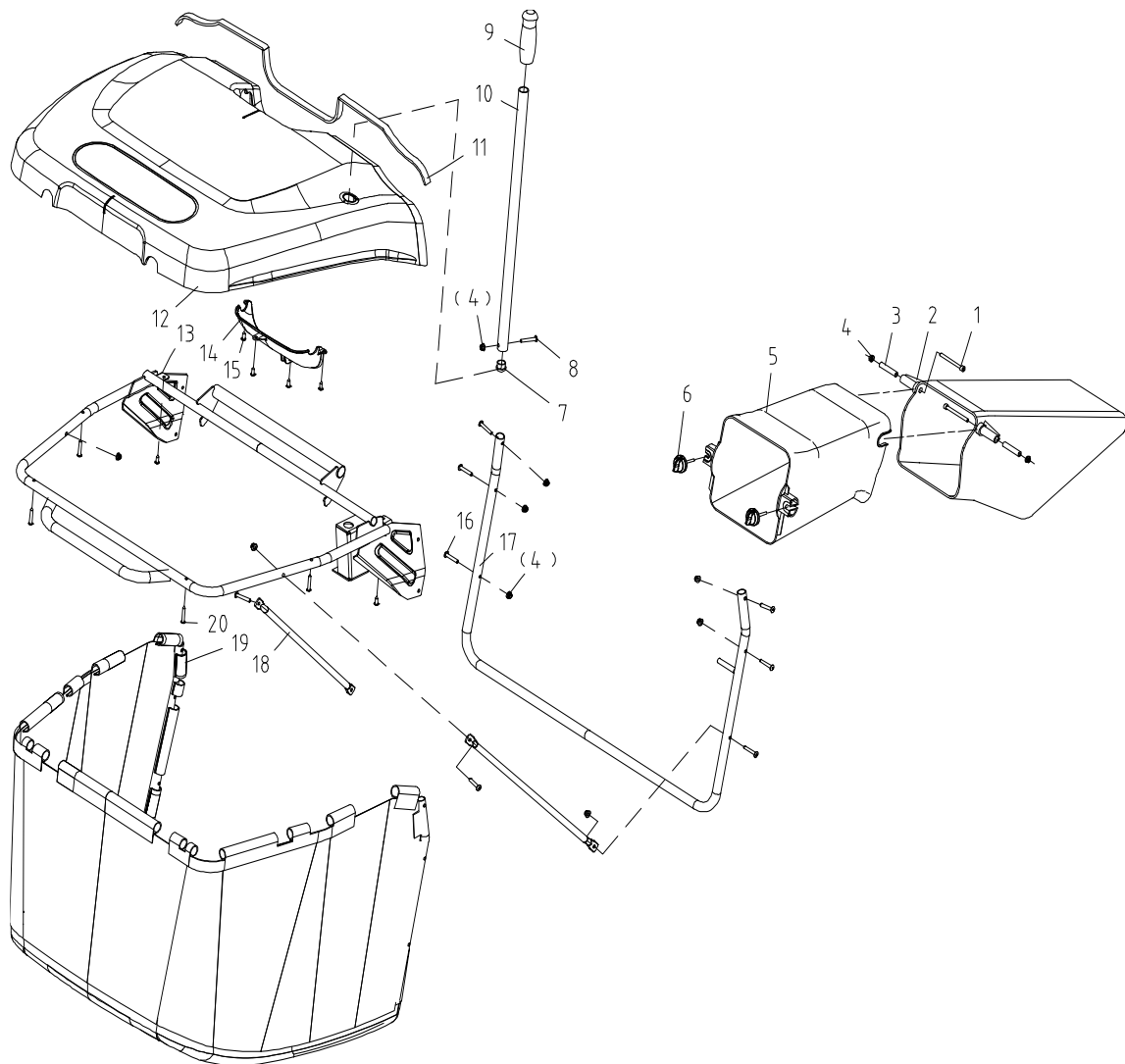
Pozice	Obj.číslo		Popis	Počet
1	20061348	GB/T6183.1-2000	FLANGE LOCK NUT M8	4
2	20084447	193401110104	SEAT BACK BEAM	1
3	20084453	193401110101	SEAT SWITCH RESET SPRING	2
4	20084451	193401110102	TUBE 14*8.4*55	2
5	20084454	GB/T70.1-2000	Screw M8X20	2
6	20084452	193401110103	SEAT SWITCH PRESSING PLATE	1
7	20085373	193401110107	Nylon step cover	2
8	20085917	20085917	Foam damping strip with rubber 40x20x5,BLACK	2
9	20084449	GB/T16674.1	FLANGE BOLT M8x75	2
10	20070964	D39.0115.0001	SEAT SPRING	2
11	20061541	GB/T96-1985	BIG WASHER	2
12	20068240	D40.0104.0010	SPRING CAP	2
13	20070966	D39.0115.0100	SEAT BRACKET	1
14	20061274	GB/T5789-1986	FLANGE BOLT M8x20	4
15	20061679	GB/T896-1986	RETAINER RING 6	2
16	20070965	D39.0115.0002	PIN	1
17	20070600	D24.0115.0300	SEAT	1



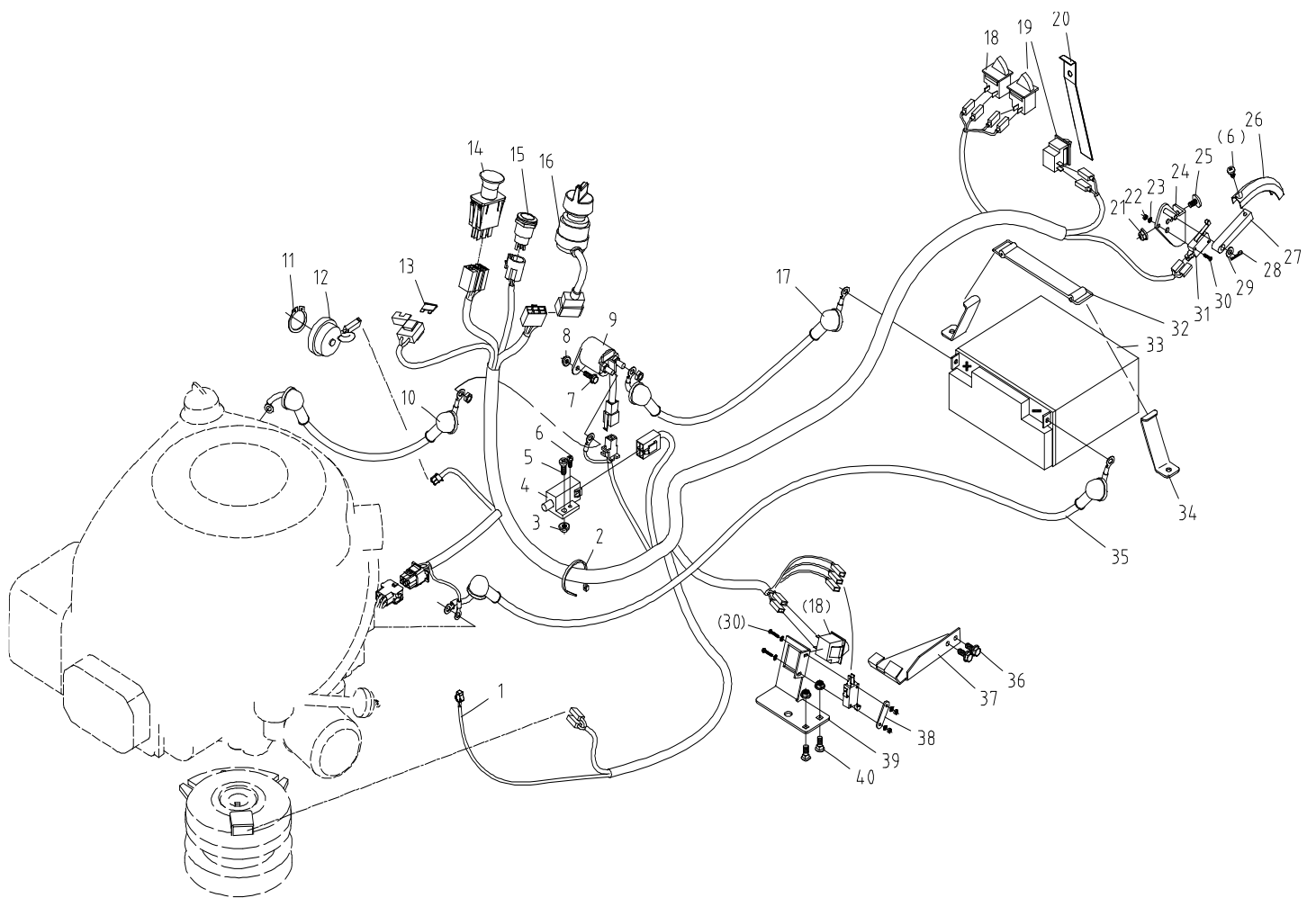
Pozice	Obj.číslo		Popis	Počet
1	20061348	GB/T6183.1-2000	FLANGE LOCK NUT M8	4
2	20061541	GB/T96-1985	BIG WASHER	4
3	20084556	193401120700	FRONT STAY BAR WELDMENT	2
4	20084557	193401120105	FRONT RIGHT DERRICK	1
5	20061369	GB/T6177.2-2000	Hexagon nut 10X1.25	2
6	20084533	193401120104	PIN	1
7	20061403	GB/T889.2-2000	LOCK NUT M10×1.25	2
8	20061497	GB/T97.1-1985	WASHER 10	9
9	20070576	D24.0113.0001	SPRING PIN	9
10	20084559	193401120600	LIFTING LINK ROD WELDMENT(REAR DISCHARGE)	1
11	20084539	193401120400	REAR ARM WELDMENT(Rear)	1
12	20084553	193401120106	U DERRICK WELDMENT	1
13	20084560	193401120300	FRONT ARM WELDMENT	1
14	20082799	20082799	FLANGE BOLT 5/16-18TX3/4	10
15	20084532	193401090101	U-SHAPED CLAMP	4
16	20061405	GB/T6183.2-2000	FLANGE LOCK NUT M10×1.25	1
17	20070967	D39.0116.0001	ADJUSTING PIN	1
18	20084563	193401120101	LIFTING PULL ROD(REAR DISCHARGE)	1
19	20082800	20082800	Tapping screwM6*1	2
20	20085316	193401120108	Spring hanging plate TTM86, electroplating	1
21	20070900	D39.0105.0012	HANDLE	1
22	20084549	193401120102	RATCHET PLATE	1
23	20084564	193401120103	LIFTING HELPING SPRING	1
24	20071251	D40.0105.0004	Cotter pin φ3	1
25	20062529	GB/T97.1	WASHER 14x1.5	1
26	20071354	D40.0203.0005	RIGHT SPRING	1
27	20084535	193401120500	LEVEL WELDMENT	1

28	20061473	GB/T896-1986	RETAINER RING 12	1
29	20070612	D24.0116.0012	HEXAGON BUSHING	2
30	20084537	193401120200	Deck Lift Shift Assemble	1
31	20085750	193405120104	Pin joint TTM86S, electroplated	1
32	20085865	193401120110	Rear left suspender TTM86, electroplated	1
33	20085747	193401120109	Rear Right suspender TTM86, electroplated	1
34	20070613	D24.0116.0013	ADJUSTING PIN	1



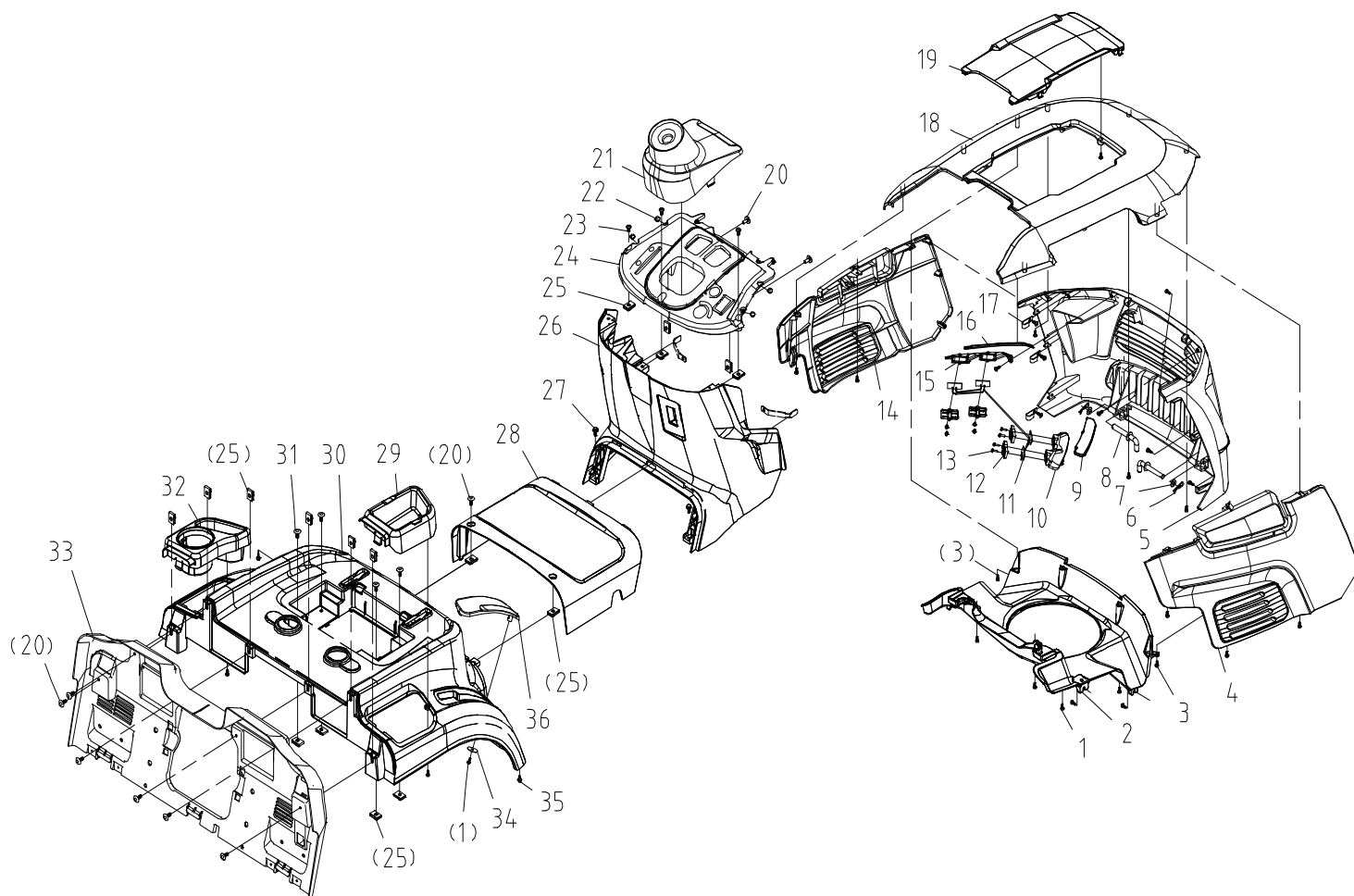


Pozice	Obj.číslo		Popis	Počet
1	20084300	GB/T70.1-2000	Screw M6X65	2
2	20085874	193401150132	Front grass collectorTTM86, K46/T2	1
3	20084482	193401150129	SPACER $\Phi 6 * \Phi 10 * 48$	2
4	20061385	GB/T6183.1-2000	Hexagon lock nut M6	11
5	20085875	193401150133	Rear grass collector TTM86, K46/T2	1
6	20086201	193401150134	lock knob	2
7	20070642	D24.0118.0004	Core plug	1
8	20060905	GB/T70.1-2000	SCREW M6x30	1
9	20070643	D24.0118.0005	Handle	1
10	20071295	D40.0107.0002	Lever	1
11	20086969	20086969	Sealing Wool TTM86	
12	20086172	193401150111	COVER	1
13	20084469	193401140200	GRASS COLLECTING FRAME FRONT SUPPORT WELDMENT	1
14	20084472	193401150123	HANDLE DECPRATIVE PLATE	1
15	20084298	GB/T16824	Tapping screw ST4.8x16	6
16	20061246	GB/T5782-2000	HEXAGON BOLTM6x35	8
17	20084483	193401140400	GRASS COLLECTING FRAME STATE SUPPORT WELDMENT	1
18	20084488	193401140101	Side stay pipe	2
19	20086170	193401150127	GRASS CATCHER(BOTTOM+CATCHER)	1
20	20084299	GB/T16824	Tapping screw ST5.5x35	4



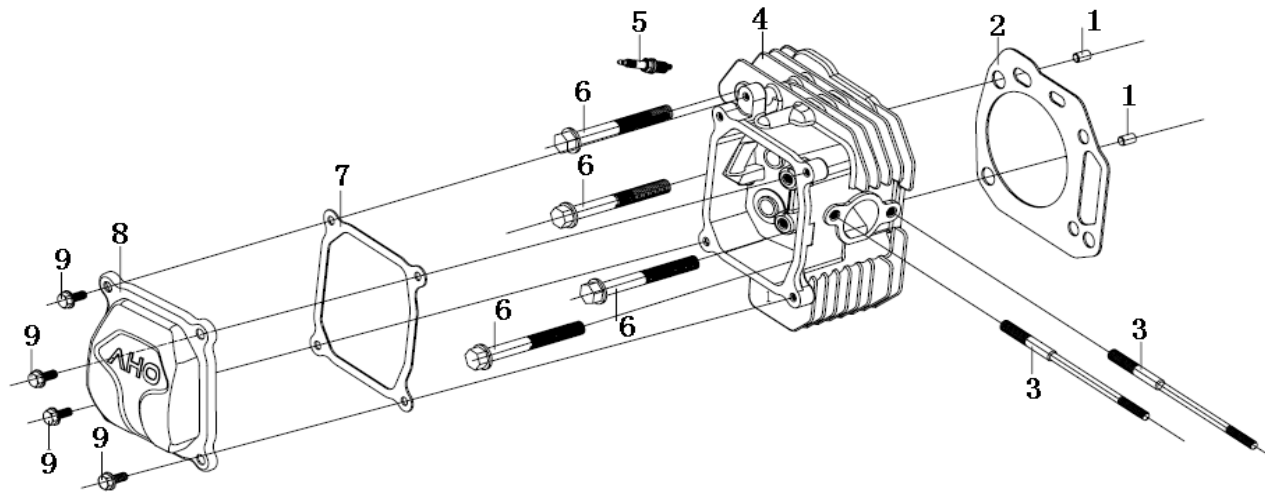
Pozice	Obj.číslo		Popis	Počet
1	20084638	193401170200	Electric cable (electric start)	1
2	20051895		Cable tie	15
	20086002		Cable tie	5
3	20061406	GB/T6177.1-2000	Hexagon flange nut M6	1
4	20070745	D24.0123.1000	OPEN CLOSE SWITCH	1
5	20061013	GB/T818-2000	Screw M6*16	1
6	20051776	GB/T845-1985	Tapping screw ST4.2*10	2
7	20061186	GB/T5789-1986	BOLT M5×16	2
8	20061341	GB/T6183.1-2000	FLANGE LOCK NUT M5	2
9	20071221		STAR RELAY, 188.YYMM TQ01 DC 12V 40A	1
10	20084637	D39.0123.0400	POWER CABLE	1
11	20061492	GB/T894.1-1986	Axial elastic ring Φ24	1
12	20070813	D24.0223.0200	Buzzer	1
13	20085696		FUSE BRM148S, 20A	1
14	20062234	17.01.A168117	SWITCH,PTO	1
15	20084626	193401170108	SWITCH	1
16	20084630	193401170112	Electric door lock	1
17	20084624	D39.0123.0500	Battery cable	1
18	20086270	193401170114	SWITCH	2
19	20086271	193401170115	SWITCH	2
20	20084634	193401170105	spring plate	1
21	20061385	GB/T6183.1-2000	Hexagon flange lock nut M6	4

22	20061334	GB/T6170-2000	nut M3	4
23	20084633	GB/T862.2-1987	Washer 3	4
24	20084622	193401170107	Switch base	1
25	20060893	GB/T947-1988	Screw M6*16	2
26	20084640	193401170101	Hook	1
27	20071233	D40.0104.0501	Switch lever	1
28	20059765	E58.0151.0108	SPLIT PIN	1
29	20061539	GB/T96-1985	Washer Φ6	1
30	20051763	GB/T818-2000	Screw M3*20	4
31	20071232	D40.0104.0500	Switch	2
32	20070744	D24.0123.0900	Belt	1
33	20071324	D40.0108.0009	BATTERY 12V 18Ah	1
34	20084632	193401170110	HOOK	2
35	20085496	193401170201	GROUND CABLE	1
36	20082800	20082800	Tapping screwM6*1	2
37	20084636	193401170102	Switch lever	1
38	20084628	193401170106	Washer	1
39	20084629	193401170103	Switch base	1
40	20061289	GB/T12-1988	BOLT M6×16	2



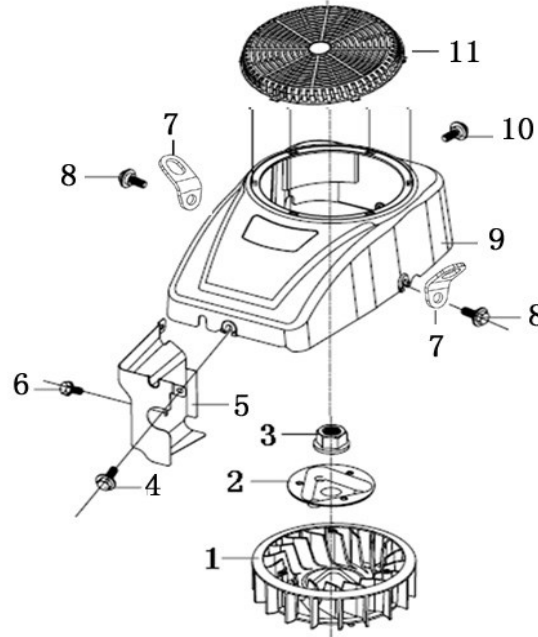
Pozice	Obj.číslo		Popis	Počet
1	20061038	GB/T845-1985	SCREW ST4.8×16	28
2	20084507	193401150126	AIR DIRECTOR	1
3	20084497	GB/T845-1985	SCREW ST4.8×20	2
4	20086167	193401150102	RIGHT SIDE COVER	1
5	20084511	193401150103	FRONT COVER	1
6	20070576	D24.0113.0001	SPRING PIN	2
7	20061497	GB/T97.1-1985	WASHER 10	2
8	20078136	193905150123	PIN	2
9	20084500	193401150119	RIGHT LIGHT COVER	1
10	20085780	193401150122	RIGHT LIGHT BASE TTM86,Bright silver plating	1
11	20084627	193401170111	light	1
12	20085735	193401150131	Lamp Base cover TTM86, black	4
13	20051768	GB/T845-1985	TAPPING SCREW ST2.9x12	8
14	20085779	193401150121	LEFT LIGHT BASE,TTM86,Bright silver plating	1
15	20086171	193401150101	LEFT SIDE COVER	1
16	20084508	193401150120	LEFT LIGHT COVER	1
17	20050895	GJB25D.00.01-00	Ignition wire clamp	5
18	20086176	193401150106	ENGINE COVER	1
19	20086169	193401150105	ENGINE COVER AIR INTAKE	1
20	20060893	GB/T947-1988	SCREW M6×16	10
21	20084503	193401150125	STEERING WHEEL COVER	1
22	20075146	102521040206	HANDLE ANTI-VIBRATION RUBBER	6

23	20061013	GB/T818-2000	SCREW M6×16	3
24	20084494	193401150108	PANEL	1
25	20070630	D24.0117.0010	BUCKLE NUT M6	17
26	20084495	193401150107	SHIELD	1
27	20082800	20082800	SCREW 6x16	6
28	20086173	193401150112	MAINTENANCE COVER	1
29	20084509	193401150118	RIGHT STORAGE BOX	1
30	20086175	193401150109	REAR SEAT	1
31	20060858	GB/T947-1988	SCREW M6×16	4
32	20084493	193401150117	LEFT STORAGE BOX	1
33	20084499	193401150110	REAR COVER TAIL-BOARD	1
34	20071676	21025-A142-0000	GASKET 6.5×25×1.4	1
35	20084298	GB/T16824	TAPPING SCREW ST4.8x16	2
36	20084501	193406150101	STALL DECORATIVE PLATE	1



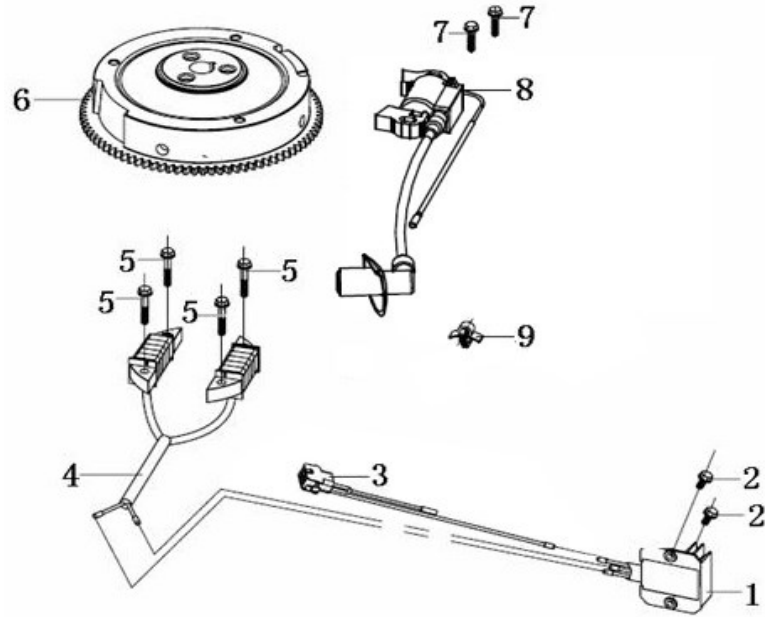
气缸头 (Gear Box Assy)

序号	零部件件号	零部件名称	Description	规格状态	数量	易损属性
No.	Part No.				Reqd. QTY	CONSUMABLE GRADE
1	380600116-0001	定位销	ocation pin	T110_d=12_L=20;	2	C
2	120150146-0001	气缸头密封垫	Gasket for cylinder head	T380_石墨;	1	A
3	380180088-0001	双头螺栓	Stud	T370_M6/8_L=138; 镀蓝白锌Q16	2	C
4	120081128-0001	气缸头	Cylinder head	T381_B款_增加导流罩安装孔;	1	B
5	270960028-0002	火花塞	Spark plug	RC12YC; Cr3+钝化	1	A
6	380140335-0001	六角头法兰面螺栓	Hexagon bolt with flange	T370_M10×1.25_L=85; 镀蓝白锌Q16	4	C
7	120250079-0001	气缸头盖密封垫	Gasket for cylinder head cover	T381_9016;	1	A
8	120230155-0001	气缸头盖	Cylinder head cover assy	T381_铝合金;	1	C
9	380020070-0001	六角头轴肩螺栓	Hexagon shaft shoulder bolt	T370_M6×16.5(Φ8×3.5); 镀蓝白锌Q16	4	C



导风部件 (Blower Housing)

序号	零部件件号	零部件名称	Description	规格状态	数量	易损属性
No.	Part No.				Reqd. QTY	CONSUMABLE GRADE
1	160180024-0001	叶轮	Impeller	T381;	1	B
2	193590013-0001	起动盘	Starting disc	T370;镀蓝白锌Q16	1	C
3	380370079-0001	六角法兰面螺母	Hexagon nut with flange	T381_不带防滑齿_M16×1.5;镀蓝白锌Q16	1	C
4	380020087-0001	六角头轴肩螺栓	Hexagon shaft shoulder bolt	T390_M6×21.8(Φ8×10.8);镀蓝白锌Q16	1	C
5	160190050-0001	空气导流罩	air deflector	T381_2#;	1	B
6	380140067-0003	六角头法兰面螺栓	Hexagon bolt with flange	GB/T 5789_M6_L=12;镀蓝白锌Q16	1	C
7	120550026-0001	吊耳	Lifting eye	T441;	2	C
8	380020086-0001	六角头轴肩螺栓	Bolt,Hexagonal	T390_M6×16.8(Φ8×5.8);镀蓝白锌Q16	2	C
9	160210046-0001	风扇罩部件	Fan cover comp.	T381;	1	B
10	380020070-0001	六角头轴肩螺栓	Hexagon shaft shoulder bolt	T370_M6×16.5(Φ8×3.5);镀蓝白锌Q16	2	C
11	195360009-0003	起动机外罩	Starter outer cover	T381;黑坯	1	B

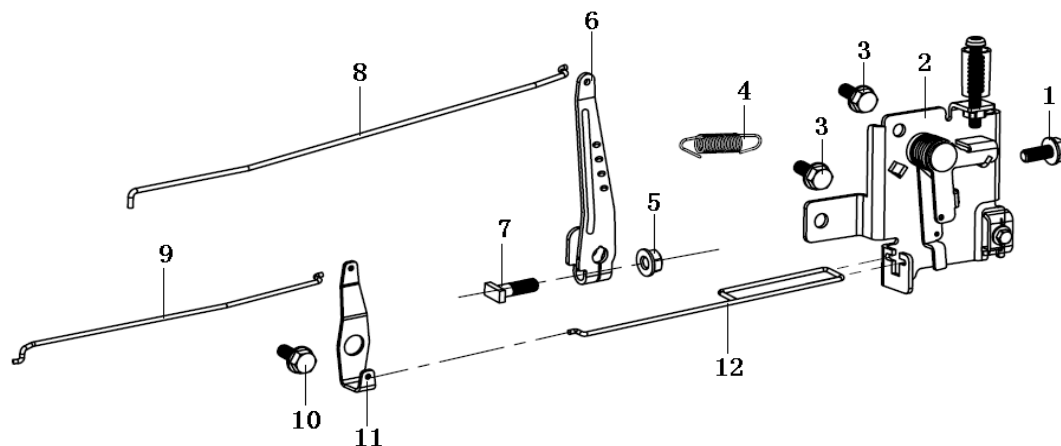


### 点火系统 (Flywheel)

序号	零部件件号	零部件名称	Description	规格状态	数量	易损属性
No.	Part No.				Reqd. QTY	CONSUMABLE GRADE
1	270880173-0001	调压整流器	RectifierVariable voltage	T440;	1	A
2	380140067-0003	六角头法兰面螺栓	Hexagon bolt with flang	GB/T 5789_M6_L=12;镀蓝白锌Q16	2	C
3	271280141-0002	连接线	Connecting wire	T370_尼龙端子;满足REACH要求	1	A
4	270190031-0001	充电线圈部件	Components of chargin	T381_尼龙端子;	1	A
5	380140054-0003	六角头法兰面螺栓	Hexagon bolt with flang	GB/T 5789_M6_L=30;镀蓝白锌Q16	4	C
6	270020229-0001	磁电机转子部件	FLYWHEEL COMP	磁电机转子部件>T370_取消磁钢护板;	1	B
7	380140103-0004	六角头法兰面螺栓	Hexagon bolt with flang	GB/T 5789_M6_L=25;镀蓝白锌Q16	2	C
8	270920251-0004	点火线圈	COIL ASSY.,IGNNTION	T370_抗干扰,带5kΩ金属屏蔽帽;尼龙端子	1	B
9	380930113-0001	定位线卡	Location wire nail	T381_燕尾卡;满足REACH要求	1	B

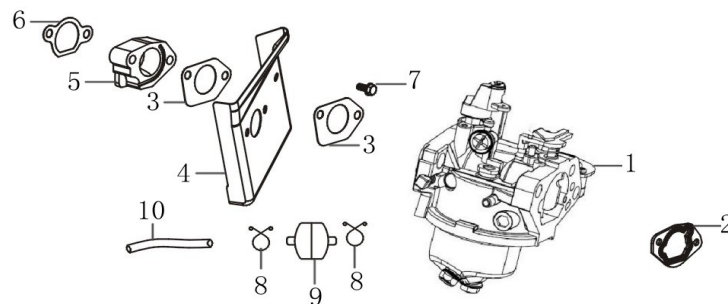






调速控制系统 (Governor)

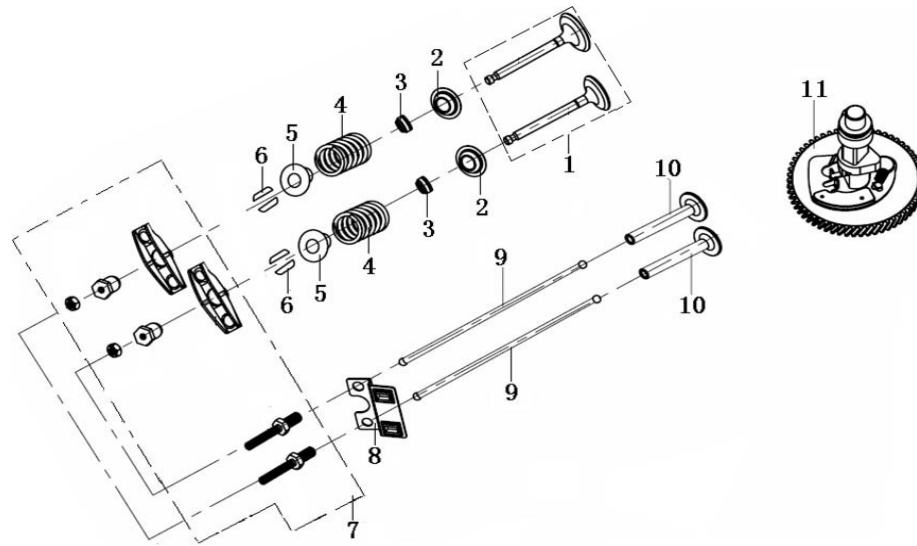
序号	零部件件号	零部件名称	Description	规格状态	数量	易损属性
No.	Part No.				Reqd. QTY	CONSUMABLE GRADE
1	380140013-0005	六角头法兰面螺栓	Hexagon bolt with flange	GB/T 5789_M6_L=16; 镀蓝白锌Q16	1	C
2	171680158-0001	油门操纵手柄组合	Throttle handle combination	T370_B款, 螺母紧固;	1	B
3	380140209-0001	六角头法兰面螺栓	Hexagon bolt with flange	GB/T 5789_M6_L=14; 镀蓝白锌Q16	2	C
4	171600020-0001	调速弹簧	Governing spring	T370;	1	A
5	380370066-0001	六角法兰面螺母	Hexagon nut with flange	GB/T 6177.1_不带防滑齿_M6; 镀蓝白锌Q16	1	C
6	171620013-0003	调速支架	Speed regulating bracket	调速支架>T370; 带方头平端紧定螺钉/六角法兰面螺	1	C
7	380250002-0001	方头平端紧定螺钉	Square head set screw with	T040_M6_L=21(13mm); 调速支架固定	1	C
8	171590013-0001	油门拉杆	Throttle rod	T370;	1	B
9	171490002-0001	阻风门杆	Choke valve bar	T370;	1	B
10	380020071-0001	六角头轴肩螺栓	Hexagon shaft shoulder bolt	T370_M6×15(Φ10×1.8); 镀蓝白锌Q16	1	C
11	171480013-0001	阻风门支架	Choke valve bracket	T370;	1	C
12	171650003-0001	阻风门拉杆	Choke valve pull rod	T370;	1	B



化油器 (Carburetor With Pump)

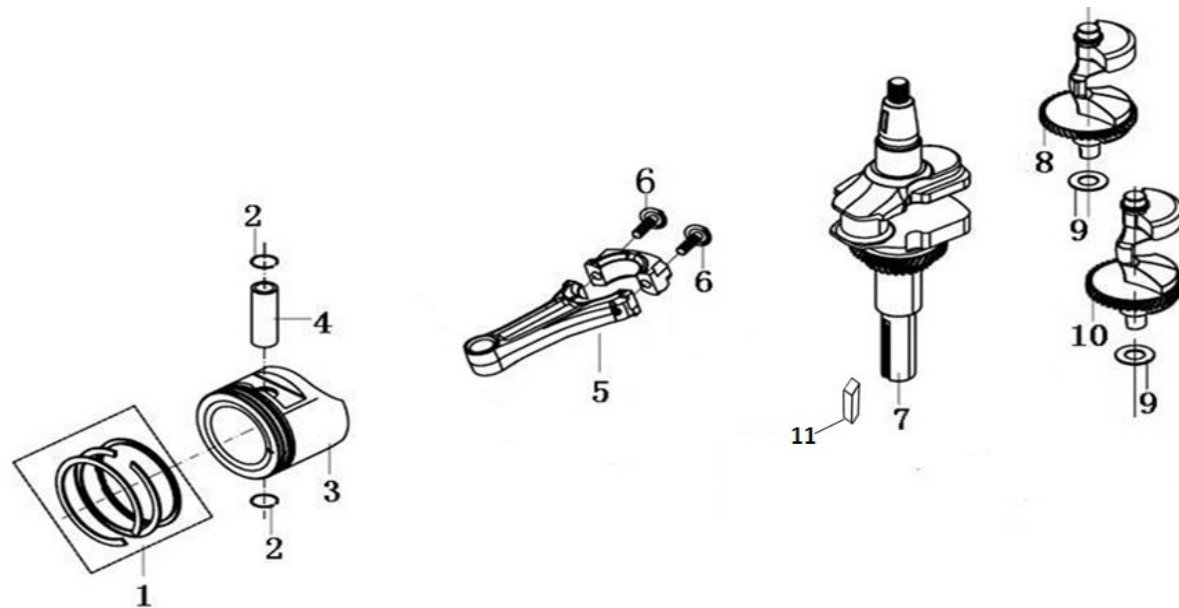
序号	零部件件号	零部件名称	Description	规格状态	数量	易损属性
No.	Part No.				Reqd. QTY	CONSUMABLE GRADE
1	170021557-0001	化油器	Carburetor	T381_CARB状态_不带电磁阀, 防篡改_针阀座直径1.2mm;	1	B
2	170430173-0001	化油器密封垫	Carburetor gasket	T440_氟橡胶_空滤器垫;红色	1	B
3	170430099-0001	化油器密封垫	Carburetor gasket	T370_interface(N-8092)材料_化油器与空气导流罩之间	2	A
4	160190049-0001	空气导流罩	air deflector	T381_1#;	1	C
5	170440053-0001	化油器隔热垫	Heat insulating pad for car	T370;	1	B
6	170430101-0001	化油器密封垫	Carburetor gasket	T370_interface(N-8092)材料_进气管密封垫;	1	A
7	380140067-0003	六角头法兰面螺栓	Hexagon bolt with flange	GB/T 5789_M6 L=12;镀蓝白锌Q16	1	C
8	380950193-0001	管夹	Pipe clip	T370_Φ11_油管卡圈;	5	A
9	170010018-0001	燃油滤清器	Fuel filter	T370;	1	A
10	380750435-0001	油管	Oil tube	T370_内径6.35_外径12.7_长105_CARB状态;加EPA证书号	1	A
11	380140013-0005	六角头法兰面螺栓	Hexagon bolt with flange	GB/T 5789_M6 L=16;镀蓝白锌Q16	2	C
12	170460026-0001	汽油泵	Gasoline pump	T381_B款_焊接外壳;满足REACH要求	1	B
13	380750425-0001	油管	Oil tube	T320_内径6.35_外径12.7_长285_防渗透_CARB状态;加EP	1	A
14	380950431-0001	管夹	Pipe clip	T370_B款_通气管;	1	C
15	380750188-0002	油管	Oil tube	T370_内径6.5_外径11_长380_汽油泵通气管;满足ROHS要	1	A
16	380140077-0005	六角头法兰面螺栓	Hexagon bolt with flange	GB/T 5789_M6 L=20;镀蓝白锌Q16	2	C
17	170470005-0001	汽油泵支架	Gasoline pump bracket	T370_带加强筋;	1	C





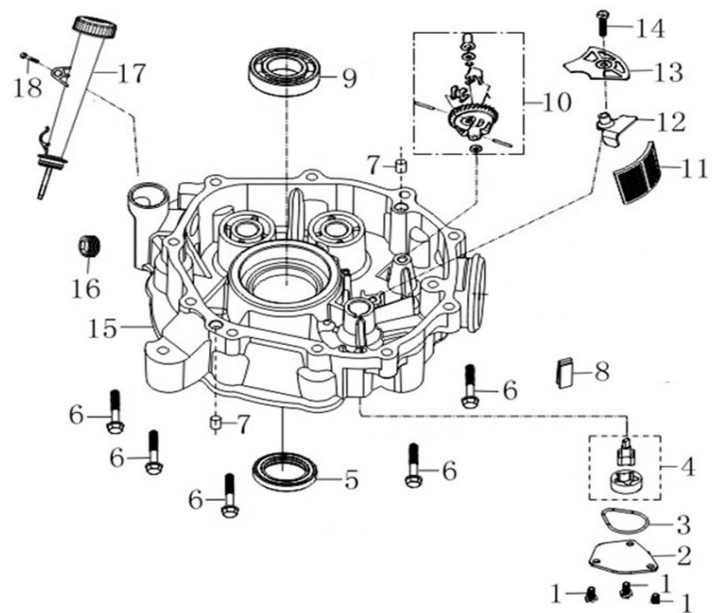
### 配气机构 (Valve)

序号	零部件件号	零部件名称	Description	规格状态	数量	易损属性
No.	Part No.				Reqd. QTY	CONSUMABLE GRADE
1	500550039-0001	气门套件	Valve Kit	T381;	1	B
2	140360010-0001	气门内弹簧座圈	Seat, valve spring	T110; 含Hg/Cr6/Pb/PBB/PBDE≤1000ppm, Cd≤100ppm	1	B
3	140400012-0001	挡油罩	Valve oil seal	T110; 含Hg/Cr6/Pb/PBB/PBDE≤1000ppm, Cd≤100ppm	2	B
4	140340025-0001	气门内弹簧	Inner spring of valve	T11D_ 调软状态; 含Hg/Cr6/Pb/PBB/PBDE≤1000ppm, Cd≤100ppm	2	B
5	140380021-0001	气门弹簧座	Retainer, valve spring	T11D_ 锁夹状态(通机)_ 排气门用; 含Hg/Cr6/Pb/PBB/PBDE≤1000ppm	2	B
6	140390015-0001	气门锁夹	Valve locker	T11D; 含Hg/Cr6/Pb/PBB/PBDE≤1000ppm, Cd≤100ppm	2	B
7	140450041-0001	气门摇臂组合	Valve rocker combina	T381;	4	B
8	140710011-0001	推杆限位板组合	Plate, push rod guide	T381;	2	B
9	140670030-0001	挺杆组合	Push rod	T370_整体式;	2	B
10	140690004-0001	挺柱	Lifter, Valve	T110; 含Hg/Cr6/Pb/PBB/PBDE≤1000ppm, Cd≤100ppm	2	B
11	140020055-0001	凸轮轴组合	Camshaft assy	T370;	2	B



### 曲柄连杆 (Crankshaft)

序号	零部件件号	零部件名称	Description	规格状态	数量	易损属性
No.	Part No.				Reqd. QTY	CONSUMABLE GRADE
1	130070103-0001	活塞环组合	Piston ring combination	T380;	1	A
2	380560057-0001	钢丝挡圈	Steel cable baffle ring	T110_活塞销挡圈;	2	B
3	130030311-0001	活塞	Piston	T381_平顶, B款;	1	A
4	130060034-0001	活塞销	Piston pin	T110_φ20×62; 含Hg/Cr6/Pb/PBB/PBDE≤1000ppm, Cd≤	1	2
5	130150185-0001	连杆	Connecting rod	T370_B款_工艺连杆螺栓;	1	B
6	130180033-0001	连杆螺栓	Connecting rod bolt	T370_B款; 预涂胶	2	C
7	130290102-0001	曲轴部件	crankshaft	T370_A轴;	1	B
8	130450034-0001	平衡轴	Balancing shaft	平衡轴>T370_B, 齿加厚;	1	B
9	380450560-0001	平垫圈	Flat washer	T370_内径17_外径30_厚度1.5; 氧化Q07	2	C
10	130450033-0001	平衡轴	Balancing shaft	平衡轴>T370_A, 齿加厚;	1	B
11	380620034-0001	键	Key	GB/T1095_L=54.6×6.3_A型;	1	B

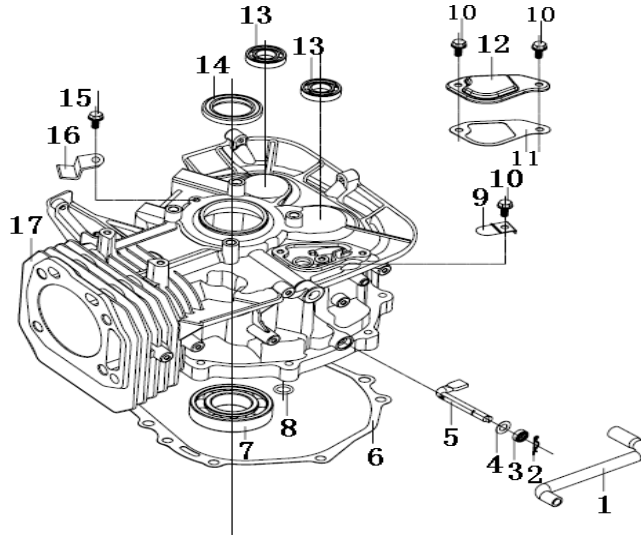


曲轴箱盖 (Crankshaft Cover)

序号	零部件件号	零部件名称	Description	规格状态	数量	易损属性
No.	Part No.				Reqd. QTY	CONSUMABLE GRADE
1	380140013-0005	六角头法兰面螺栓	Hexagon bolt with flange	GB/T 5789_M6_L=16; 镀蓝白锌Q16	3	C
2	150040019-0001	油泵盖	Oil pump cover	T370;	1	C
3	380840467-0001	密封圈	Seal ring	T370_机油泵密封圈_丙烯酸脂CII;	1	A
4	150010073-0001	机油泵部件	Components of oil pump	T381;	1	B
5	380650337-0001	油封	Oil seal	T110_d=35_D=52_b=7; 含Hg/Cr6/Pb/PBB/PBDE≤10	1	B
6	380140447-0001	六角头法兰面螺栓	Hexagon bolt with flange	T370_M8_L=40_S=12; 镀蓝白锌Q16	10	C
7	380600123-0001	定位销	ocation pin	T370_d=10_L=12;	2	C
8	150570003-0001	机油回油块	Engine oil return block	T370_丙烯酸脂;	1	B
9	380630141-0002	轴承	Bearing	GB/T 276_6207;	1	B
10	171750044-0001	调速齿轮部件	Components of governor g	T381_B款;	1	B
11	150290022-0001	机油滤网	Engine oil Strainer	T370_弧形;	1	A
12	120530002-0001	油道压板	Pressing plate for oil groove	T370;	1	C
13	150340013-0001	机油滤网盖	Cover,Oil Strainer	T381_取消冲孔;	1	B
14	380140103-0004	六角头法兰面螺栓	Hexagon bolt with flange	GB/T 5789_M6_L=25; 镀蓝白锌Q16	1	C







### 曲轴箱 (Crank Case Comp)

序号	零部件件号	零部件名称	Description	规格状态	数量	易损属性
No.	Part No.				Reqd. QTY	CONSUMABLE GRADE
1	380740462-0002	通气管	Breather tube	T370_异型_丁腈橡胶_废气管;满足ROHS要求	1	A
2	381350004-0001	销夹	Pin clip	T040_调速臂用;	1	B
3	380650339-0001	油封	Oil seal	T110_d=8_D=14_b=4;含Hg/Cr6/Pb/PBB/PBDE≤100	1	B
4	380450559-0001	平垫圈	Flat washer	T370_内径8_外径16_厚度0.5;镀蓝白锌Q16	1	C
5	171630020-0001	调速臂	Speed regulating arm	T381;	1	B
6	110830037-0001	曲轴箱盖密封垫	Crankcase cover gasket	T381_interface(N-8092);	1	A
7	380630141-0002	轴承	Bearing	GB/T 276_6207;	1	B
8	380840443-0001	密封圈	Seal ring	T370_D=11.7_d=2.5_丙稀酸脂;	1	A
9	140250006-0001	簧片阀	Leaf valve	T370_压板加厚;	1	B
10	380140067-0003	六角头法兰面螺栓	Hexagon bolt with flange	GB/T 5789_M6_L=12;镀蓝白锌Q16	3	C
11	110850004-0001	呼吸槽密封垫	PACKING, BREATHER CHA	T370_无石棉软木橡胶板;	1	A
12	110840005-0001	呼吸槽盖板	CAP,BREATHER CHAMBER	T370_A;镀蓝白锌 Q16	1	C
13	380630026-0001	轴承	Bearing	GB/T 276_16003;	2	B
14	380650337-0001	油封	Oil seal	T110_d=35_D=52_b=7;含Hg/Cr6/Pb/PBB/PBDE≤10	1	A



